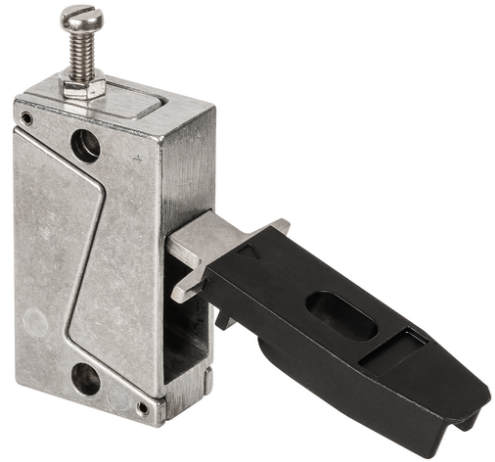


A-C-H-RU-LS-122676 (Order no. 122676)

Hinged actuator for safety switch CTP/CTA

- ▶ Hinged actuator for bottom-hinged doors
- ▶ Two safety screws included



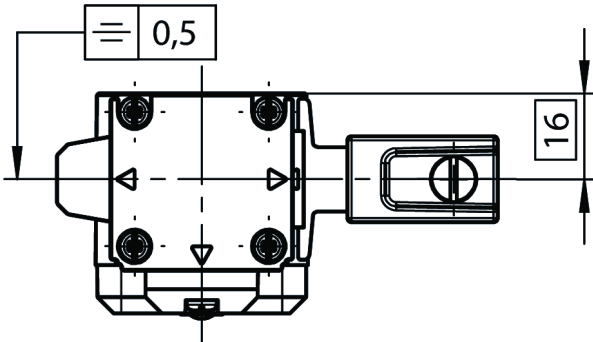
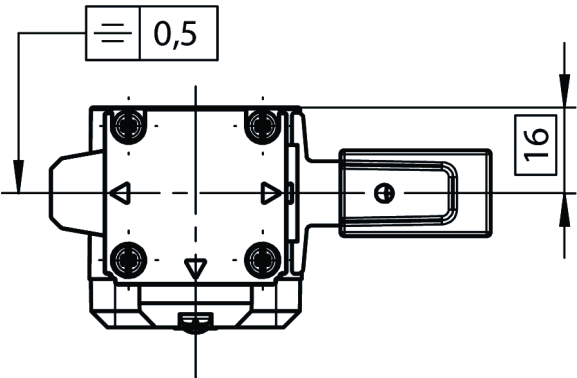
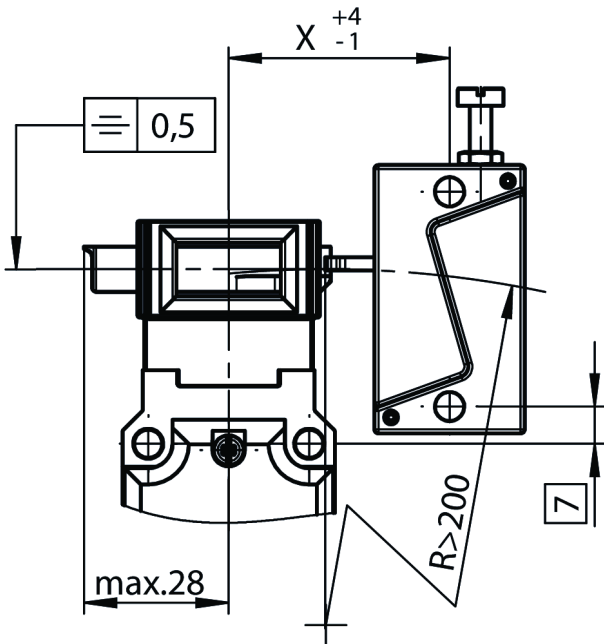
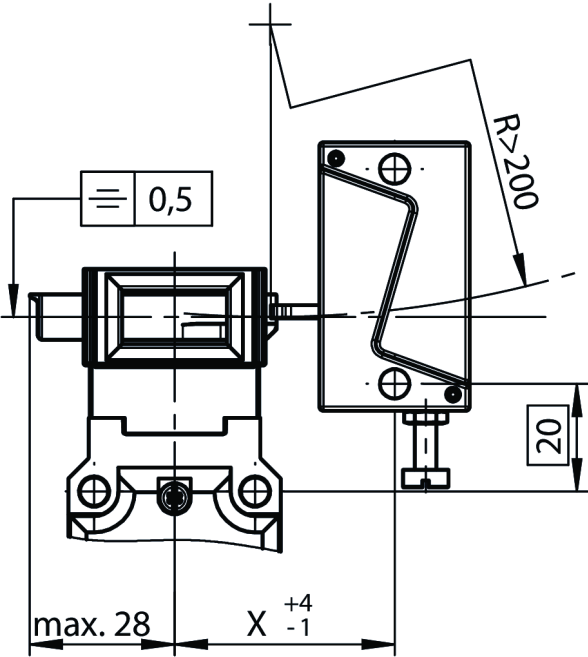
Hinged actuators

A hinged actuator should be used for small door radii. The spring action movement of the actuator prevents damage due to the actuator jamming in the actuator head. Depending on the movement of the guard, the actuator must be selected for left, right, top or bottom.

The safety screws included can be inserted with a normal tool, but cannot be removed again.

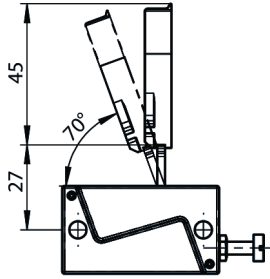
Dimensional drawings

X=45mm (122675, 122676)

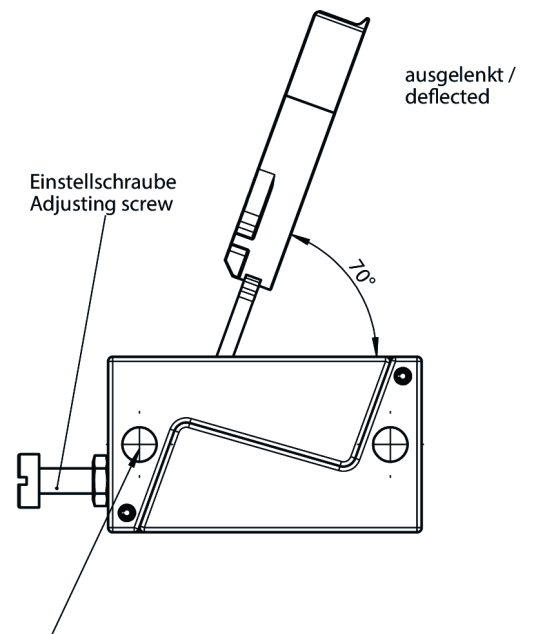
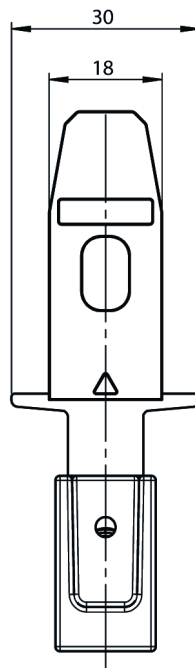
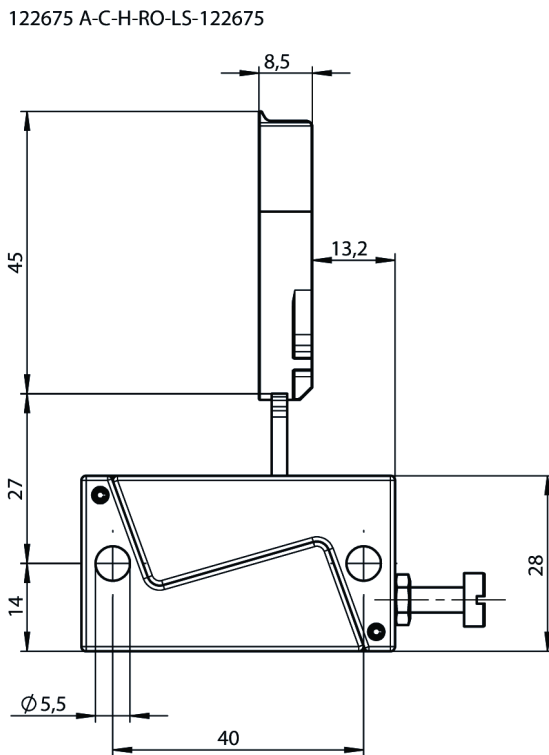


Dimensional drawings

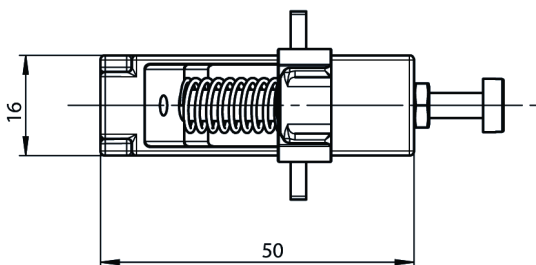
122676 A-C-H-RU-LS-122676



122675 A-C-H-RO-LS-122675



2x Einwegschraube M5
beigelegt
2x Non-removable screws M5
included



Technical data

Approvals



Electrical connection values

Power supply	Inductive via read head
--------------	-------------------------

Mechanical values and environment

Mechanical life	1 x 10 ⁶
Overtravel	5 mm
Degree of protection	IP67/IP69
Ambient temperature	-20 ... +55 °C

Material

Mounting range	Die-cast aluminum
Encapsulation	fiber reinforced plastic, black

Locking force F_{max}	2600 N
-------------------------	--------

Locking force F_{Zh}	2000 N
	($F_{zh} = F_{max}/1.3$)

Downloads

All documentation for this material can be found on our website:

<https://www.euchner.de/en-us/a/122676/?#downloads-tab>

Ordering data

Ordernumber	122676
Item designation	A-C-H-RU-LS-122676
Gross weight	0,073kg
Customs tariff number	85389099990
ECLASS	27-27-24-04 Actuator for safety-related proximity switch

Accessories

Mounting accessories

Safety screws for actuators, M5 x 25

073457

M5X25/V100

- ▶ Safety screws M5 x 25
- ▶ Packaging unit 100 pieces